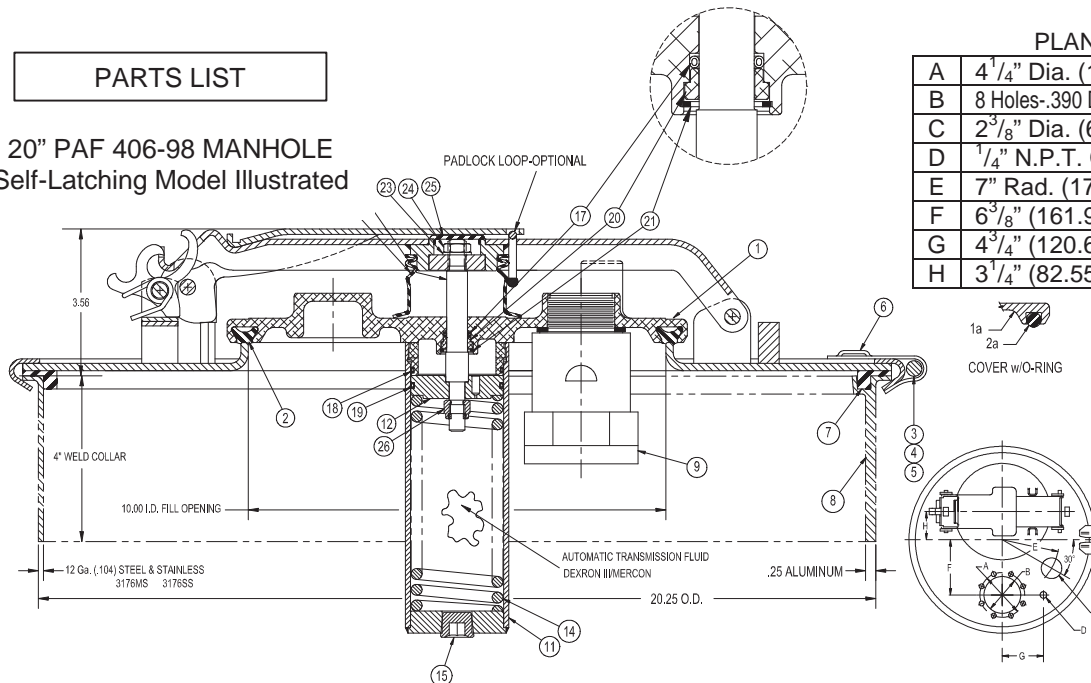


PARTS LIST

**20" PAF 406-98 MANHOLE
Self-Latching Model Illustrated**

PLAN VIEW DIMENSIONS

A	4 1/4" Dia. (107.95mm)
B	8 Holes-.390 Dia. (9.90mm) on 4 1/8" (123.83mm) B.C.
C	2 3/8" Dia. (60.325mm) Hole
D	1/4" N.P.T. Coupling
E	7" Rad. (177.8mm)
F	6 3/8" (161.93mm)
G	4 3/4" (120.65mm)
H	3 1/4" (82.55mm)



No.	Description	Material	Part No.
1	Fill Cover	Alum/E-Coated	8297ALEY
1a	Fill Cover (O-Ring Grvd.)	Alum/E-Coated	8297ALEY389
2	Gasket - Integral Relief Valve	Buna-N	3119BN
		Viton	3119VT
		Wh. Hypalon	3119WH
2a	O-Ring	Tef-Sil	3902TS
3	Bolt-Clamp Ring	Steel Zinc Plt.	3029ZC
		Stnls 304	3029SL
4	Nut-Clamp Ring	Brass	3030BR
		Stnls 304	9Q5809
5	Washer-Clamp Ring	Steel Zinc Plt.	3031ZC
		Stnls 304	3031SL
6	Clamping Ring	Steel	3036MS
		Steel Zinc Plt.	3036ZC
		Stnls 304	3036SL
7	Manhole Gasket Channel Type	Buna-N	3560BN
		Viton	3560VT
		Wh. Hypalon	3560WH
		Teflon Env. w/ Wh. Hypalon	3033TF
8	Manhole Collar Channel Type	Steel	3176MS
		Aluminum	3176AE
		Stnls 304	3176SL
		Stnls 316	3176SS

No.	Description	Material	Part No.
9	Vent Assembly	Aluminum	6496ALB
10	Gasket	Buna-N	3716BN
11	Cylinder Assembly	Aluminum	6657AL
12	Piston	Aluminum	6654AL
13	Stem	Stnls 304	6688SL
14	Spring	Steel	4122MS
15	1/2" NPT Plug Zinc Plt.	Steel Zinc Plt.	9V4907
17	Stem O-Ring -112	Buna-N	4118BN
18	Cylinder O-Ring -137	Buna-N	4015BN
19	Piston O-Ring -137	Tef-Sil	4015TS
20	O-Ring Retainer	Alum/E-Coated	4117ALEY
21	Retainer Ring	Stnls 304	9Q4961
22	Bellows	EPDM	4020EPDM
23	Lockwasher Ext. Tooth 1/16"	Stnls 304	9Q5961
24	Nut Hex 1/16x20	Stnls 304	9Q5960
25	Plastic Plug	Polyethylene	9Z6163
26	3/8-16 Hex Nut w/ Insert	Steel Zinc Plt.	9Q5896

Gasket Maximum Temperature

Buna-N (Nitrile)	250°F
Viton	400°F
White Hypalon	250°F
Teflon-Silicone	400°F
Teflon Envelope w/ White Hypalon Insert	250°F

Replace oil cylinder using Automatic Transmission Fluid Dexron III/Mercon, SAE 5W-20 with viscosity of 177 SUS at 100°F and a pour point of no greater than -45°F.

MAINTENANCE: Manhole assemblies should be inspected with sufficient frequency to insure 10" Integral Relief Valve functions properly. Any worn, damaged or missing parts must be replaced. Gaskets should be replaced if their effectiveness to insure a liquid tight seal is impaired in any way. Replacement gaskets must be compatible with products carried.

WARNING Consult PAF406-98 maintenance manual prior to disassembly of this relief valve.

Use only genuine Betts Industries Inc. replacement parts. Use of substitute parts can impair the proper functioning of this product.