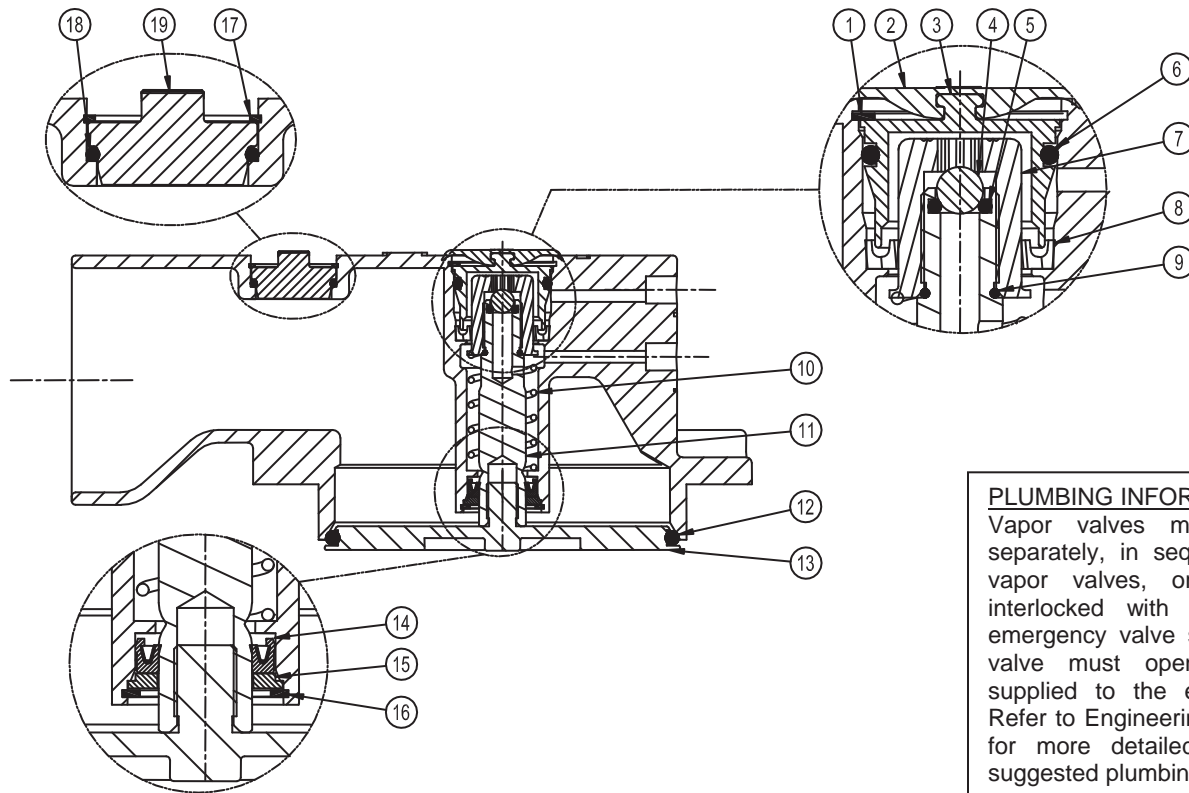


PARTS LIST

4" ALUMINUM VAPOR VALVE – SEQUENTIAL INTERLOCK



PLUMBING INFORMATION:

Vapor valves may be plumbed separately, in sequence with other vapor valves, or they may be interlocked with an air operated emergency valve so that the vapor valve must open before air is supplied to the emergency valve. Refer to Engineering Bulletin 1-2001 for more detailed instructions on suggested plumbing arrangements.

NO.	DESCRIPTION	REQ	PART NO.	MATERIAL
1	Cap Retaining Ring	1	9Q4977	Stainless Steel
2	Rubber Rain Cap	1	75010EP	EPDM
3	Air Cylinder Cap	1	19957ALEY	Alum./E-coat
4	Interlock Ball	1	9Z4857	316 Stainless
5	Interlock O-ring	1	19467BN	Nitrile
			19467VT	FKM 'A'
			19467FS	Fluorosilicone
6	Cap O-ring	1	19971BN	Nitrile
			19971VT	FKM 'A'
			19971FS	Fluorosilicone
7	Piston	1	75212AL	Alum./Anodized
8	Piston Seal	1	75434SLTF	PTFE/SS
9	Piston O-ring	1	19931BN	Nitrile
			19931VT	FKM 'A'
			19931FS	Fluorosilicone
10	Spring	1	19960SL	302 SS

NO.	DESCRIPTION	REQ	PART NO.	MATERIAL
11	Stem	1	28117AL	Alum./Anodized
12	O-Ring Seat	1	19935TS	Tef-Sil
			19935VT	FKM 'A'
			19935VB	FKM 'BLT'
			19935VF	FKM 'GFLT-s'
13	O-ring Holder	1	28000AL	Aluminum
14	Seal – Shaft	1	75462SLTF	PTFE/SS
15	Shaft Seal Retainer	1	19958AL	Aluminum
16	Retainer Ring – Shaft Seal	1	9Q4976	Stainless Steel
17	Retaining Ring – Access Holes	2	9Q4934	Carbon Steel
18	O-Ring Access Holes	2	19936BN	Stainless Steel
			19936FS	Fluorosilicone
19	Access Hole Plugs	2	19929ALEY	Alum./E-Coat

Seal Kit # AV75600TS includes: (2), (5), (6), (8), (9), (12), (14), (18).

WARNING: Use only genuine BETTS INDUSTRIES INC. replacement parts. Use of substitute parts can impair the proper function of this product and void all warranties.