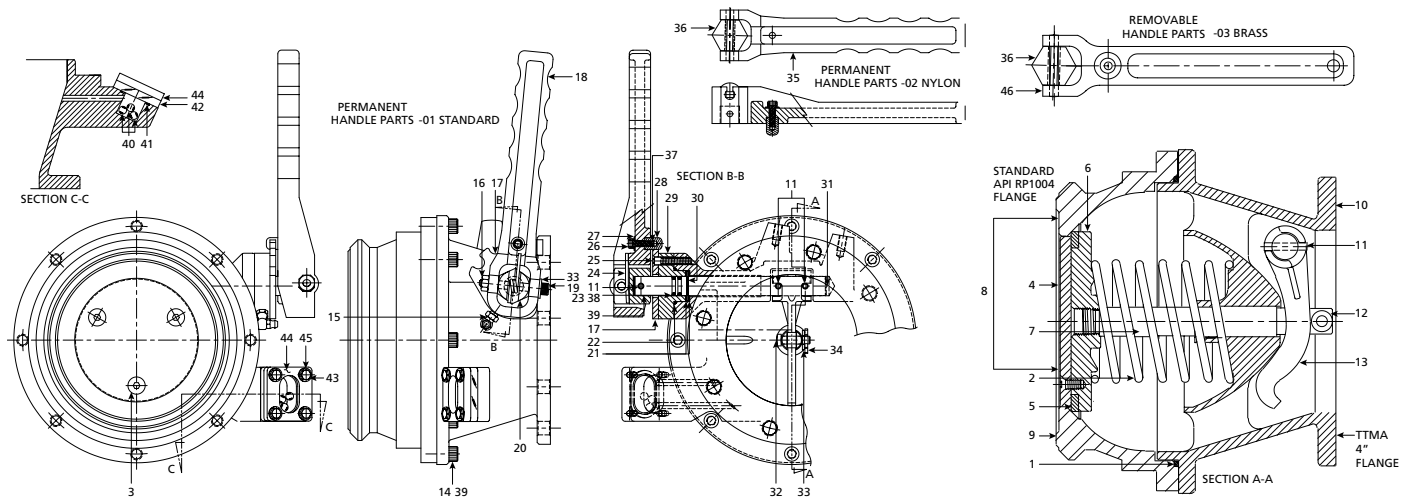




Flow Indicator Parts List



#	PART NAME	PART NUMBER	#	PART NAME	PART NUMBER
1	Seal Ring	1103402	24	Spring - Handle	880-10-201
2	Spring	880-12-701	25	Screw - ¼-20 x 1.25 Flat	1106703
3	Screw - ¼-20 x ½ Flat Soc	1106703	26	Screw - 10-24 x 5/8 Soc	1103010
4	Retainer - Seal	880-20-701	27	Washer - #10 Stainless Steel	1127507
5	Seal - Poppet (Viton)	880-11-601	28	Pin - Latch	880-19-201
6	Poppet - Spring Guide	880-20-101	29	Adapter - Latch	880-21-901
7	Stem	880-18-801	30	Ring - 5/8 Dia. Retaining	1100106
8	Poppet & Stem Assembly	880-11-203	31	Shaft - Cross	880-21-801
9	Adapter - API	880-40-101HC	32	Pin - Roller Cam	880-18-901
10	Adapter - Tank Truck	880-43-401	33	Washer - ¼ Flat	1113601
11	Pin - 3/16 x 1 Spirol	1108604	34	Pin - 3/32 Dia. x ½ Cotter	1113501
12	Roller - Cam	880-19-001	35	Handle Assembly - Removable	880-22-201
13	Cam - Loading Arm	880-21-501	36	Hex - Removable Handle	880-19-901
14	Screw - 5/16-18 x 7/8 Soc	1103006	37	Threadlocker #222	1200201
15	Fitting - Grease	1111101	38	Petroleum - Jelly	1137801
16	Locknut - ¼-20	1104105	39	Anti-seize	1114401
17	Latch	880-22-001	40	Ball - Flow Indicator	880-12-401
18	Handle	880-32-601	41	O-ring FLC #2-024	1103922
19	Soc Head Cap Screw Stainless Steel ¼-20 x 2.00	1117016	42	Sight Window	880-11-401
20	Hub - Hex	880-19-801	43	Hex Head Cap Screw #10-24 UNC x .88	1117636
21	Washer - 5/8 I.D. Flat Stainless Steel	1125707	44	Sight Glass Reinforcement	881-15-701
22	Ring - 1 3/16 O.D. x 1 I.D. "O"	1106204	45	Lock - Washer, Internal Tooth	1116303
23	Ring - 5/8 O.D. "O" (Viton)	1103912	46	Handle Assembly, Removable - Brass	881-21-902

PART NUMBER	DESCRIPTION
880-427-01	Standard Flow Indicator API Bottom Loading Adapter
880-427-02	Canadian Flow Indicator API Bottom Loading Adapter

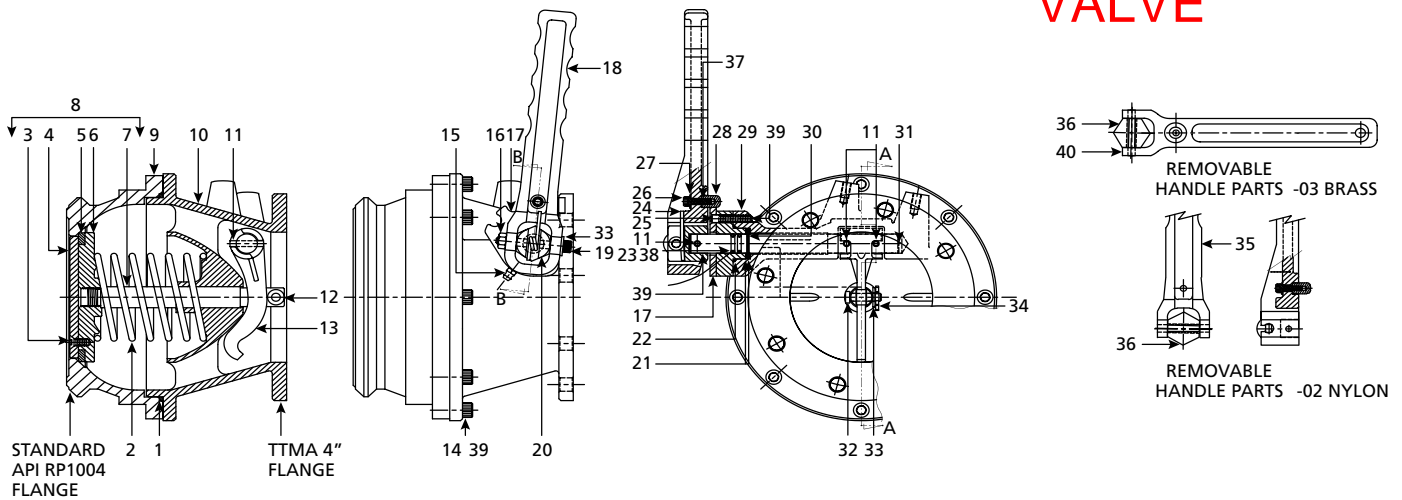
EBW 880-427 VALVES ARE OBSOLETE - PARTS STILL AVAILABLE

**Tank Truck Service & Sales, Inc. Warren, Michigan
800-482-2678**



Short Stroke Parts List

EBW 880-422 API VALVE



#	PART NAME	PART NUMBER	#	PART NAME	PART NUMBER
1	Seal Ring	1103402	21	Washer - 5/8 I.D. Flat Stainless Steel	1125707
2	Spring	880-12-701	22	Ring - 1 3/16 O.D. x 1 I.D. "O"	1106204
3	Screw - 1/4-20 x 1/2 Flat Soc	1106703	23	Ring - 5/8 O.D. "O" (Viton)	1103912
4	Retainer - Seal	880-20-701	24	Spring - Handle	880-10-201
5	Seal - Poppet (Viton)	880-11-601	25	Screw - 1/4-20 x 1 1/4 Flat	1106703
6	Poppet - Spring Guide	880-20-101	26	Screw - 10-24 x 5/8 Soc	1103010
7	Stem	880-18-801	27	Washer - #10 Stainless Steel	1125707
8	Poppet & Stem Assembly	880-11-201	28	Pin - Latch	880-19-201
9	Adapter - API	880-40-101HC	29	Adapter - Latch	880-21-901
10	Adapter - Tank Truck	880-43-401	30	Ring - 5/8 Dia. Retaining	1100106
11	Pin - 3/16 x 1 Spirol	1108604	31	Shaft - Cross	880-21-801
12	Roller - Cam	880-19-001	32	Pin - Roller Cam	880-18-901
13	Cam - Loading Arm	880-21-501	33	Washer - 1/4 Flat	1113601
14	Screw - 5/16 - 18 x 7/8 Soc	1103006	34	Pin - 3/32 Dia. x 1/2 Cotter	1113501
15	Fitting - Grease	1111101	35	Handle Assembly - Removable	880-22-201
16	Locknut - 1/4-20	1104105	36	Hex - Removable Handle	880-19-901
17	Latch	880-22-001	37	Threadlocker - Jelly #222	1200201
18	Handle	880-32-601	38	Petroleum - Jelly	1137801
19	Soc Head Cap Screw Stainless Steel 1/4-20 x 2.00	1117016	39	Anti-seize	1114401
20	Hub - Hex	880-19-801	40	Handle Assembly, Removable - Brass	881-21-902

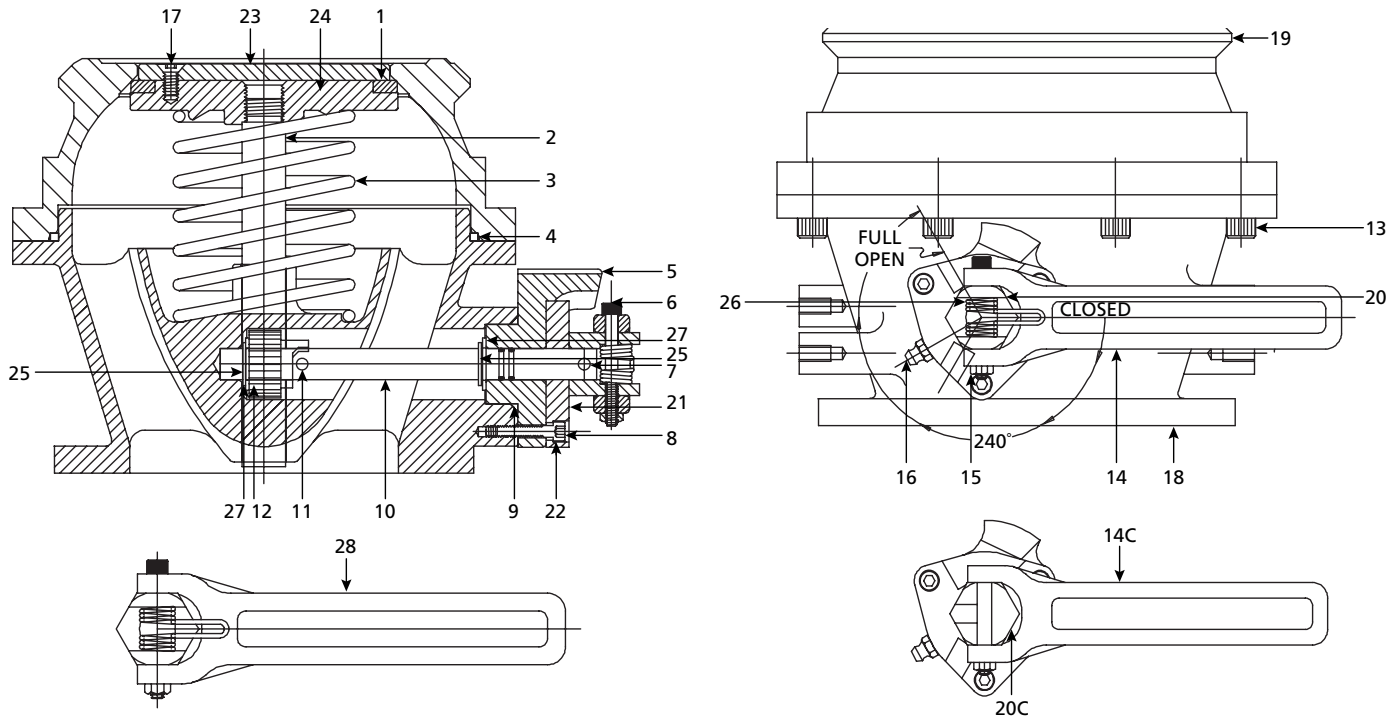
PART NUMBER	DESCRIPTION
880-422-01	Standard API Bottom Loading Adapter
880-422-02	Canadian API Bottom Loading Adapter

EBW 880-422 VALVES ARE OBSOLETE - PARTS STILL AVAILABLE

**Tank Truck Service & Sales, Inc. Warren, Michigan
800-482-2678**



Rack & Pinion Operated Parts List



#	PART NAME	PART NUMBER	#	PART NAME	PART NUMBER
1	Poppet Seat Gasket (Viton)	880-116-01	16	Grease Fitting	11111-01
2	Stem Wear Gear	880-105-01	17	Flat Head Socket Cap Screw	11067-03
3	Spring	880-127-01	18	Body (Openable) Style	880-400-02
4	Seal Ring (Viton)	11034-02	19	API Adapter	880-401-01
5	Latch	880-212-01	20	Hub	880-217-01
6	Socket Head Cap Screw	11030-09	20C	Hub	880-184-01
7	Spirol Pin	11-86-04	21	Latch Plate	880-172-01
8	Socket Head Cap Screw (Stainless Steel)	11170-07	22	Insert	880-173-01
9	O-ring (Viton)	11062-02	23	Seal Retainer	880-126-01
10	Shaft	880-101-01	24	Poppet Spring Guide	880-201-01
11	Grooved Pin	11130-01	25	Retaining Ring	11001-03
12	Gear	880-106-01	26	Hatch Spring	880-216-01
13	Socket Head Cap Screw	11030-06	27	Washer	880-117-01
14	Handle	11109-01	28	Handle Assembly	880-205-01
14C	Handle Assembly	880-225-01		Service Kit*	90006
15	Locknut	11109-01			

* Note: Service Kit includes: (1) #1, (1) #4, (1) #8, (1) #9, (1) #18

PART NUMBER	DESCRIPTION
880-405-01	Standard Rack & Pinion Operated API Bottom Loading Adapter
880-405-02	Canadian Rack & Pinion Operated API Bottom Loading Adapter

EBW 880-405 VALVES ARE OBSOLETE - PARTS STILL AVAILABLE

**Tank Truck Service & Sales, Inc. Warren, Michigan
800-482-2678**