

# **NEW** PRODUCT BULLETIN: J73 SERIES COUPLER & ADAPTER REPAIR KITS

**COUPLERS:** To determine the correct repair kit for your coupler, find the part number of the coupler in the list at the left-hand side. Then follow the line to determine the kit number. For example, the cross shaft seal kit for J73C-ABN2-A is 800453.

COUPLER PART #	Front End Replacement Kit	Front End Repair Kit	Front End Seal Kit	Bumper Ring Kit	Cross Shaft Seal Kit	Lever / Cross Shaft Replacement Kit	Poppet / Link & Stem Repair Kit	Swivel Replacement Kit	Swivel Seal Kit
	Kit No	Kit No	Kit No	Kit No	Kit No	Kit No	Kit No	Kit No	Kit No
J73C-ABB1-A								800461	800458
J73C-ABI1-B								800461	800458
J73C-ABN1-A	8	8	8		8	8	8		
J73C-ABN1-A003	0	0	0		0	0	0		
J73C-ABN1-B	0	0	0		0	0	0	800464	
J73C-ABN1-B003	4	4	4		4	4	4		800467
J73C-ABN2-A	4	7	5	8	5	7	7	800479	
J73C-ABN2-B	7	6	0	0	3	0	1	800479	
J73C-ABI2-B				0				800479	800458
J73C-AVB1-A				4				800462	800459
J73C-AVI1-B				7				800462	800459
J73C-AVN1-A	8	8	8	4	8	8	8		
J73C-AVN1-A003	0	0	0		0	0	0	800465	
J73C-AVN1-B	0	0	0		0	0	0		800468
J73C-AVN1-B	4	4	4		4	4	4		
J73C-AVN1-B003	4	7	5		5	5	7		
J73C-AVN2-A	4	7	1		4	6	2	800480	
J73C-AVN2-B	8	7							
J73C-AVI2-B									800459

**ADAPTERS:** Listed below are the repair kits that are now available for Adapters. Each Kit includes Silicon Oil and Instruction Sheet.

ADAPTER PART #	Repair Kit No
J73A-ABN0-A	800339
J73A-ABT0-A	
J73A-AVN0-A	800340
J73A-AVN0-A003	
J73A-AVT0-A	
J73A-BBN0-A	800336
J73A-BBN0-A003	
J73A-BBT0-A	
J73A-BEN0-A003	800337
J73A-BVN0-A	800335
J73A-BVN0-A003	
J73A-BVT0-A	

Each of the above kits includes the following items: Front End and Back End Retaining Screws, Poppet and Screw O-Rings, Sealing Washer, Spring, Flat Washer.

ADAPTER PART #	Repair Kit No
J73A-ABN0-B	800647
J73A-BBN0-B	
J73A-BBN0-B003	
J73A-ABI0-B	800650
J73A-BBI0-B	
J73A-AVN0-B	800648
J73A-AVN0-B003	
J73A-BVN0-B	
J73A-BVN0-B003	
J73A-AVI0-B	800651
J73A-BVI0-B	

Each of the above kits includes the following items: O-Ring, Spring, Retaining Ring, Sealing Disc (ISO 228 Inlet Kits only).

ADAPTER PART #	Repair Kit No
All J1302 w/ VITON seals	493374
All J1302 w/ BUNA seals	493373

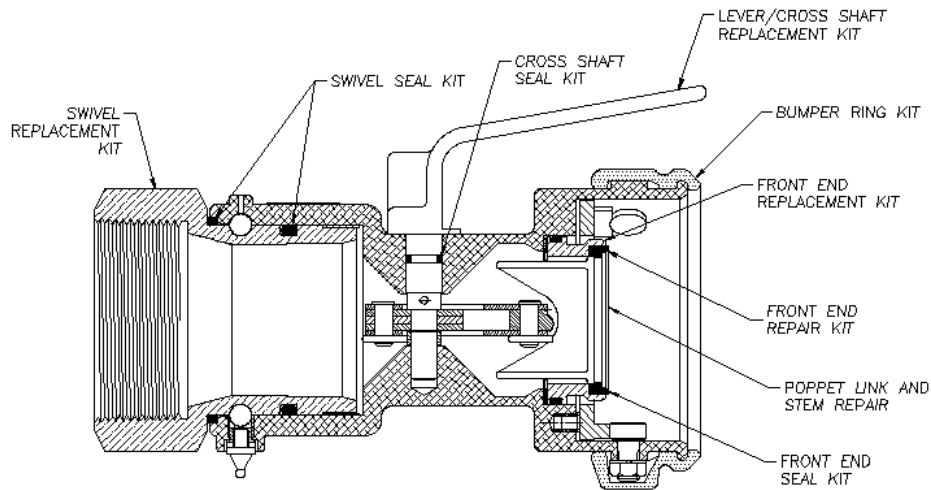
Each of the above kits includes the following items: Retaining Screw, Screw O-Ring, Seal Ring, Spring.

# NEW

## PRODUCT BULLETIN:

### J73 SERIES COUPLER & ADAPTER REPAIR KITS

DRY-BREAK II



Emco Wheaton has developed a series of REPAIR KITS suitable for the field repair of the J73 Series Couplers & Adapters.

Our previous experience with this type of KIT PROGRAM has proven its value. If a Coupler has a leaky seal or 'O' Ring, or a part worn, the feeling is the installation of a complete REPAIR KIT in that area of concern will give the user far better value for the money, rather than just replacing one or two parts.

The installation of the KIT renders a wear zone on the Coupler completely rebuilt, and will consequently give longer service life. These KITS are available off the shelf, and come complete with instructions and diagram. The part number is prominently displayed for easy stock identification. Below is a summary of the usage and key content of each type of KIT:

**Front End Replacement Kit:** For major rebuild of the front end of the coupler. Kit Contains: Nose Piece, Nose Seal, Front End O-ring, Cross Shaft O-ring, roll pins, wave washer, springs, spacer, Interlock Plate, Bayonet Studs (3), Eyelets (3) and nuts (3), Interlock Pin, Retaining ring, Bumper Ring, Silicone Oil.

**Front End Repair Kit:** For minor repair of the front end of the coupler. Kit Contains: Nose Seal, Cross Shaft O-ring, Front End O-Ring, Roll Pin, Silicone Oil.

**Front End Seal Kit:** For nose seal replacement only. Kit Contains: Nose Seal, Cross Shaft O-ring, Front End O-Ring, Roll Pin, Aluminium spacer, Silicone Oil.

**Bumper Ring Kit:** Contains two (2) Bumper Rings, Instruction Sheet.

**Cross Shaft Seal Kit:** For replacement of cross shaft seal only. Kit Contains: Cross Shaft O-ring, Roll Pin, Silicone Oil.

**Lever / Cross Shaft Kit:** For replacing the lever and cross-shaft. Kit Contains: Cross Shaft O-Ring, Roll Pin, Aluminum Spacer, Cross Shaft / Lever Assembly, Silicone Oil.

**Poppet / Link & Stem Replacement Kit:** For complete replacement of a damaged Poppet / Link & Stem Assembly. Kit Contains: Poppet / Link & Stem Assembly (complete), Roll Pin, Cross-Shaft O-Ring, Silicone Oil.

**Swivel Seal Kit:** For repair of the straight or 90° swivel. Kit Contains: Ball bearings (6), Bearing Strip, Felt Wiper, Lube Fitting, Quad Ring Seal, Ball Retainer, Seal Disc (BSP only) Silicone Oil.

**Swivel Replacement Kit:** For replacement of the straight or 90° swivel. Kit Contains: Ball bearings (27), Swivel Body, Bearing Strip, Felt Wiper, Lube Fitting, Quad Ring Seal, Ball Retainer, Seal Disc (BSP only), Silicone Oil.