

3" "Y" Strainers

FEATURES

- Lightweight.
- High volume.
- Constructed of glass filled polypropylene.
- 1/2" drain plug in bottom of cap.
- Reinforced 304 stainless steel screen.
- 3" female NPT threads.
- 75 P.S.I. maximum.*

Please see page 126 for poly micro valve clean out!



FEATURES

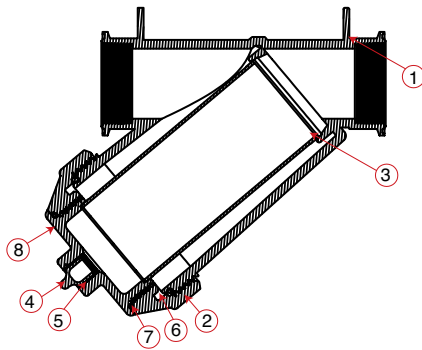
- EPDM gaskets standard FKM (viton type) available.
- Corrosion resistant.
- 200 P.S.I. maximum.
- Clean-out plug.
- 316 Stainless steel screens sold separately.



Please call for SS Strainers or Parts

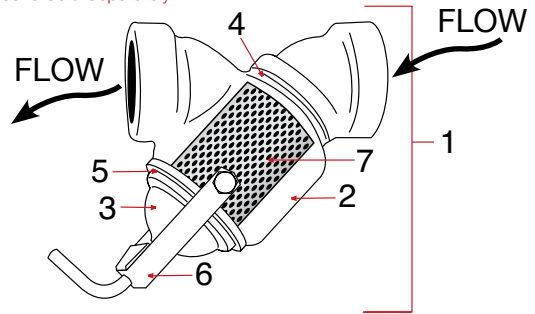
| 3" Y-STRAINERS | |
|----------------|-------------------------------------|
| PART NO | DESCRIPTION |
| LSM300-04 | 3" x 3" Y Strainer w/4 Mesh Screen |
| LSM300-08 | 3" x 3" Y Strainer w/8 Mesh Screen |
| LSM300-12 | 3" x 3" Y Strainer w/12 Mesh Screen |
| LSM300-20 | 3" x 3" Y Strainer w/20 Mesh Screen |
| LSM300-50 | 3" x 3" Y Strainer w/50 Mesh Screen |

***WARNING: 3" Polypropylene "Y" Strainer to be used on suction side or non-pressure side in all applications.**



| 3" SS Y-STRAINERS | |
|-------------------|------------------------------|
| PART NO | DESCRIPTION |
| LSS300-BC | 3" SS Body, Cap & Gaskets |
| LSS300-B | 3" SS Body |
| LSS300-C | 3" SS Cap |
| LSS300-S | EPDM Screen Seal |
| LSS300-SV | FKM (viton type) Screen Seal |
| LSS300-G | EPDM Cap Gasket |
| LSS300-GV | FKM (viton type) Cap Gasket |
| LSS300-H | Handle/Clamp Assembly |

NOTE: Screens Sold Separately.



| REPLACEMENT PARTS LSM300 | | |
|--------------------------|------------|-------------------------------------|
| ITEM | PART NO | DESCRIPTION |
| 1 | MLS300B1 | 3" Poly Body |
| 2 | MLS300CAP | 3" Cap |
| 3 | LS304 | 4 Mesh Screen |
| 3 | LS308 | 8 Mesh Screen |
| 3 | LS312 | 12 Mesh Screen |
| 3 | LS320 | 20 Mesh Screen |
| 3 | LS350 | 50 Mesh Screen |
| 4 | 13777 | 3/4" Clean Out Plug |
| 5 | 13778 | EPDM O-Ring Clean Out Plug |
| 6 | MLS300G | EPDM Cap Gasket |
| 6 | MLS300GV | FKM (viton type) Cap Gasket |
| 7 | MLS300ECG | EPDM End Cap Gasket |
| 7 | MLS300ECGV | FKM (viton type) Cap Gasket |
| 8 | LS300EC | End Cap Only (Plug Sold Separately) |

| REPLACEMENT PARTS LSS300 | | |
|--------------------------|-----------|------------------------------|
| ITEM | PART NO | DESCRIPTION |
| 1 | LSS300-BC | 3" SS Body, Cap & Gaskets |
| 2 | LSS300-B | 3" SS Body |
| 3 | LSS300-C | 3" SS Cap |
| 4 | LSS300-S | EPDM Screen Seal |
| 4 | LSS300-SV | FKM (viton type) Screen Seal |
| 5 | LSS300-G | EPDM Cap Gasket |
| 5 | LSS300-GV | FKM (viton type) Cap Gasket |
| 6 | LSS300-H | Handle/Clamp Assembly |
| 7 | LSS306 | 6 Mesh SS Screen |
| 7 | LSS308 | 8 Mesh SS Screen |
| 7 | LSS312 | 12 Mesh SS Screen |
| 7 | LSS320 | 20 Mesh SS Screen |
| 7 | LSS330 | 30 Mesh SS Screen |
| 7 | LSS350 | 50 Mesh SS Screen |

