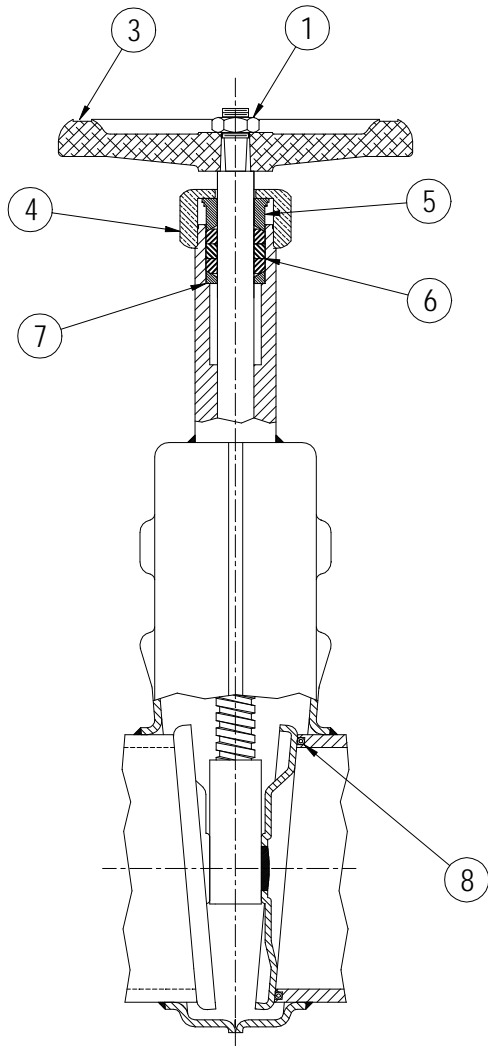
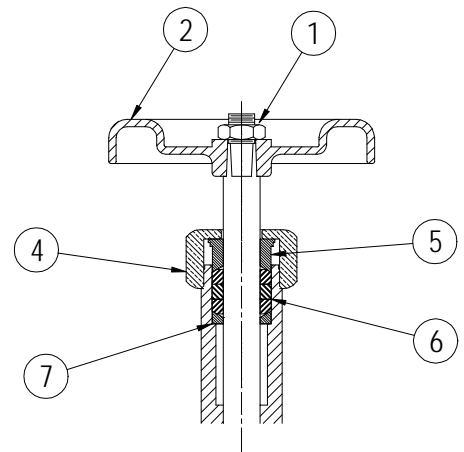


**PARTS LIST**

# Gate Valve



**4" Gate Valve**



**3" Gate Valve**

Tank Truck Service & Sales, Inc. Warren, Michigan  
800-482-2678 www.tanktruckservice.com

NO.	REQ.	DESCRIPTION	MATERIAL	PART NO.
1	1	7/16-14 hex Nut	Steel	9Q5811
2	1	3" Hand Wheel	Aluminum	25186AL
3	1	4" Hand Wheel	Aluminum	25245AL
4	1	Stuffing Box Nut	Anodized Aluminum	15026AL
			Stainless Steel	15026SS
5	1	Gland Follower	Stainless Steel	15220SS
6	1	Packing Set (3 Rings per Set)	Teflon Suspensoid	15227NT
7	1	Gland Washer	Stainless Steel	15076SS
8	2	* Seat O-Ring (4" valve only)	Tef-Sil	19430TS

\* Replaceable Seat Valves only.