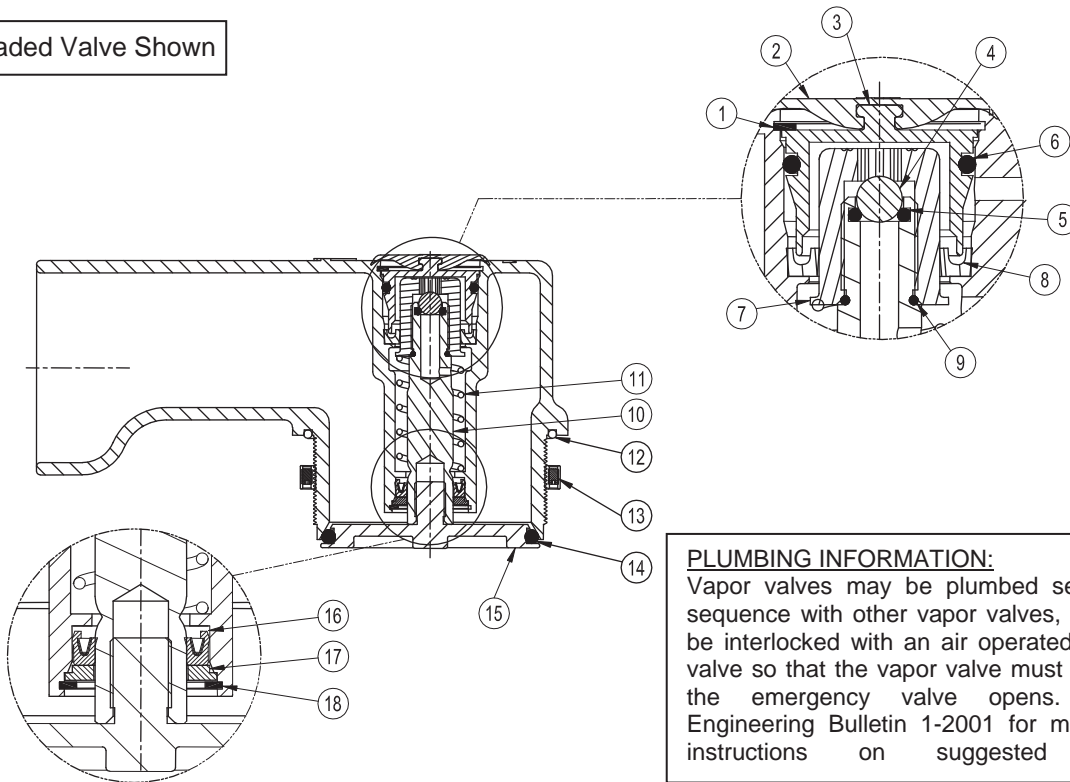


# PARTS LIST

## 3 1/2" ALUMINUM VAPOR VALVE – SEQUENTIAL INTERLOCK

Note: Threaded Valve Shown



**PLUMBING INFORMATION:**  
Vapor valves may be plumbed separately, in sequence with other vapor valves, or they may be interlocked with an air operated emergency valve so that the vapor valve must open before the emergency valve opens. Refer to Engineering Bulletin 1-2001 for more detailed instructions on suggested plumbing.

NO.	DESCRIPTION	REQ	PART NO.	MATERIAL
1	Cap Retaining Ring	1	9Q4977	Stainless Steel
2	Rubber Rain Cap	1	75010EP	EPDM
3	Air Cylinder Cap	1	19957ALEY	Alum./E-coat
4	Interlock Ball	1	9Z4857	316 Stainless
5	Interlock O-ring	1	19467BN	Nitrile
			19467VT	FKM 'A'
			19467FS	Fluorosilicone
6	Cap O-ring	1	19971BN	Nitrile
			19971VT	FKM 'A'
			19971FS	Fluorosilicone
7	Piston	1	75212AL	Alum./Anodized
8	Piston Seal	1	75434SLTF	PTFE/SS
9	Piston O-ring	1	19931BN	Nitrile
			19931VT	FKM 'A'
			19931FS	Fluorosilicone
10	Stem	1	28117AL	Alum./Anodized
11	Spring	1	19960SL	302 SS
12	Mounting O-ring (threaded version)	1	17657VT	FKM 'A'
			17657VB	FKM 'BLT'

NO.	DESCRIPTION	REQ	PART NO.	MATERIAL
13	Mounting Ring w/ Set Screws (threaded version)	1	19950AL	Aluminum
14	O-ring Seat	1	19930TS	Tef-Sil
			18098VT	FKM 'A'
			18098VB	FKM 'BLT'
15	O-ring Holder	1	28033AL	Aluminum
16	Shaft Seal	1	75462TF	PTFE/SS
17	Seal Retainer	1	19958AL	Aluminum
18	Retaining Ring Shaft Seal	1	9Q4976	Stainless Steel

Mounting Hardware for Bolted Version				
12a	Gasket (bolted version)	1	RGA301CB	Cork Buna (Other Mat'l Avail. See Sec. 40, page 2A)
13a	Bolts & Lock washers (bolted version)	1	75002ZC	Steel/Zn Plt.
			75002SL	304 Stainless

**Seal Kit # AV75601TS (bolted version) includes:** (2), (5), (6), (8), (9), (12a), (14), (16).

**Seal Kit # AV75602TS (threaded version) includes:** (2), (5), (6), (8), (9), (12), (14), (16).

**WARNING:** Use only genuine BETTS INDUSTRIES INC. replacement parts. Use of substitute parts can impair the proper function of this product and void all warranties.