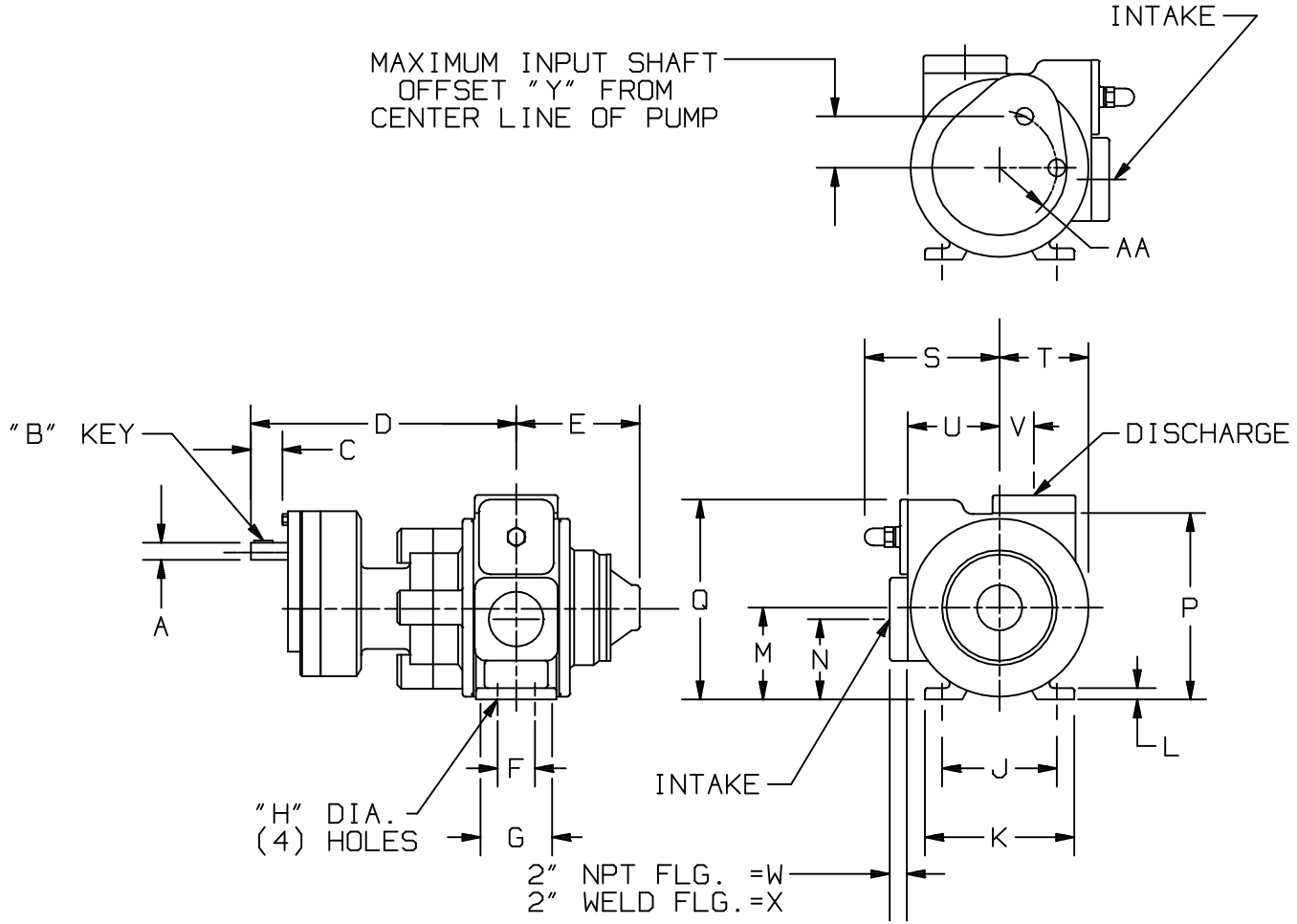


TYPE	SIZE	UNIT STYLE
GX	2B	PO

DIMENSIONS 101-105	
Section	101
Effective	FEBRUARY 2003
Replaces	OCTOBER 1995
Page	1/3

RIGHT HAND ROTATION. FOR LEFT HAND ROTATION, SHAFT PROJECTION IS OPPOSITE THAT SHOWN.



MOTOR			UNITS	DIMENSIONS									
FRAME SIZE				A	B	C	D	E	F	G	H	J	K
			IN	3/4	3/16	1 3/8	11 9/16	5 1/4	1 5/8	3 1/2	7/16	5	6 1/2
			MM	19,1	4,8	35,9	293,7	133,3	41,3	88,9	11,1	127	165,1
				L	M	N	P	Q	R	S	T	U	V
			IN	1/2	4	3 1/2	8 1/8	8 11/16	—	5 7/8	3 7/8	4	1 1/2
			MM	12,7	101,6	88,9	206,4	220,6	—	149,2	98,4	101,6	38,1
				W	X	Y	Z	AA	BB	CC	DD	EE	FF
			IN	3/4	1 3/16	2 1/4	—	2 1/2	—	—	—	—	—
			MM	19,1	30,2	57,2	—	63,5	—	—	—	—	—
				GG	HH					PUMP WEIGHT	WITH STD. FLANGES		
			IN	—	—					LBS	110		
			MM	—	—					KG	50		

