

C
10.5"
267



Hannay Reels®
The reel leader.

Tank Truck Service & Sales, Inc. Warren, Michigan
800-482-2678 www.tanktruckservice.com

Static Grounding Reels

WARNING

These reels are for static grounding ONLY.
NOT intended for lightning protection!

For refueling or hazardous areas.

- These reels bond and/or ground aircraft, fuel trucks, and other equipment.
- Provide smooth operation and require minimum cable pull.
- Declutching arbor and adjustable guide arm with cable guide.
- Optional stainless steel construction of spool, frame, and ratchet system available on HGR Series.
- Standard finish is oven-cured enamel.
- Also available, manual rewind version.
- Plastic Clear Coated cable is standard on all reels ordered with cable.



Model HGR50
(Shown with optional "Y" branch)



Model SSHGR50
(Optional unpolished stainless steel HGR50)



Model MHGR50



Model HGR100



Model MHGR100



Model GR75



Model MGR75

All reels shown with PCC cable and clamp.

Family owned and operated since 1933

Quality. Value. Service. Built by Hannay.

- Available with 1/8", 7 x 19 galvanized carbon steel cable.
- 100 amp Alligator clamp.
- Stainless steel covered cable and "Y" branches are available at an additional charge.
- Cable guide arm of cast aluminum and ZA-12 aluminum zinc alloy.

Series GR75

- Sealed spring is a good economical choice that's compact and lightweight.

Series HGR

- A non-sparking ratchet assembly.
- Reels are repairable and parts are readily available.
- Supplied with 18" long grounding strap with eyelet connectors on both ends.

Parts Drawings: HGR Series – ISO 10 and MHGR Series – ISO 234

Model Number	Cable Capacity of Reel feet m	Approx. Weight lb. kg		Reel Dimensions*** in. mm									
		Without Cable	With Cable	A	B	C	D	E	F	G	H	X	Y
GR75	75	11	14*	2	2	7	9	9.25	3.5	9.88	5.06	1	7.88
	23	5	6	51	51	178	229	235	89	251	129	25	200
† MGR75	75†	11	13*	2	2	7	9	9.25	5.25	9.88	5.06	1	7.88
	23†	5	6	51	51	178	229	235	133	251	129	25	200
HGR50	75	28	30*	4	1.25	10.75	11.5	14.25	5.5	16.75	8.88	2.38	7.5
	23	13	14	102	32	273	292	362	159	425	226	60	191
† MHGR50	125†	19	23*	4	1.25	10.75	11.5	14.25	6.25	16.75	8.88	2.38	7.5
	38†	9	10	102	32	273	292	362	159	425	226	60	191
HGR100	100	37	41*	4	1.25	13.25	11.5	16.75	5.5	17.75	8.88	2.38	7.5
	30	17	19	102	32	337	292	425	140	451	226	60	191
† MHGR100	175†	25	31*	4	1.25	13.25	11.5	16.75	6.25	17.75	8.88	2.38	7.5
	53†	11	14	102	32	337	292	425	159	451	226	60	191

Optional GTP Gator® Clamp

(GTP-9654)
Part No. 9951.0032



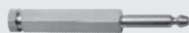
Optional Browne Clamp

(ALS-10)
Part No. 9951.0031



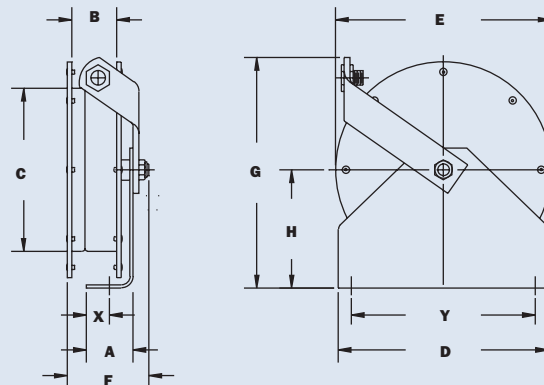
Optional Grounding Jack

per MIL-C-8341D/4
Part No. 9951.0033

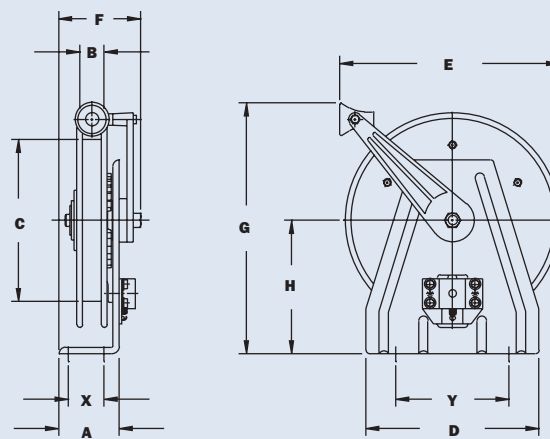


Notes:

1. Specifications subject to change.
 2. When ordering, specify model number, gauge, O.D., length, and coating if required.
 3. Specify "Y" branch if required.
 4. **Finish:** Refer to page 2.
- *Reels can be shipped as a parcel package (via FedEx or UPS Ground).
*** X, Y indicate mounting holes. See page 2.
† Capacities shown are for PCC (plastic coated cable). Capacities may be higher for uncoated cable; consult factory.



Model GR75/MGR75 – GR75 shown

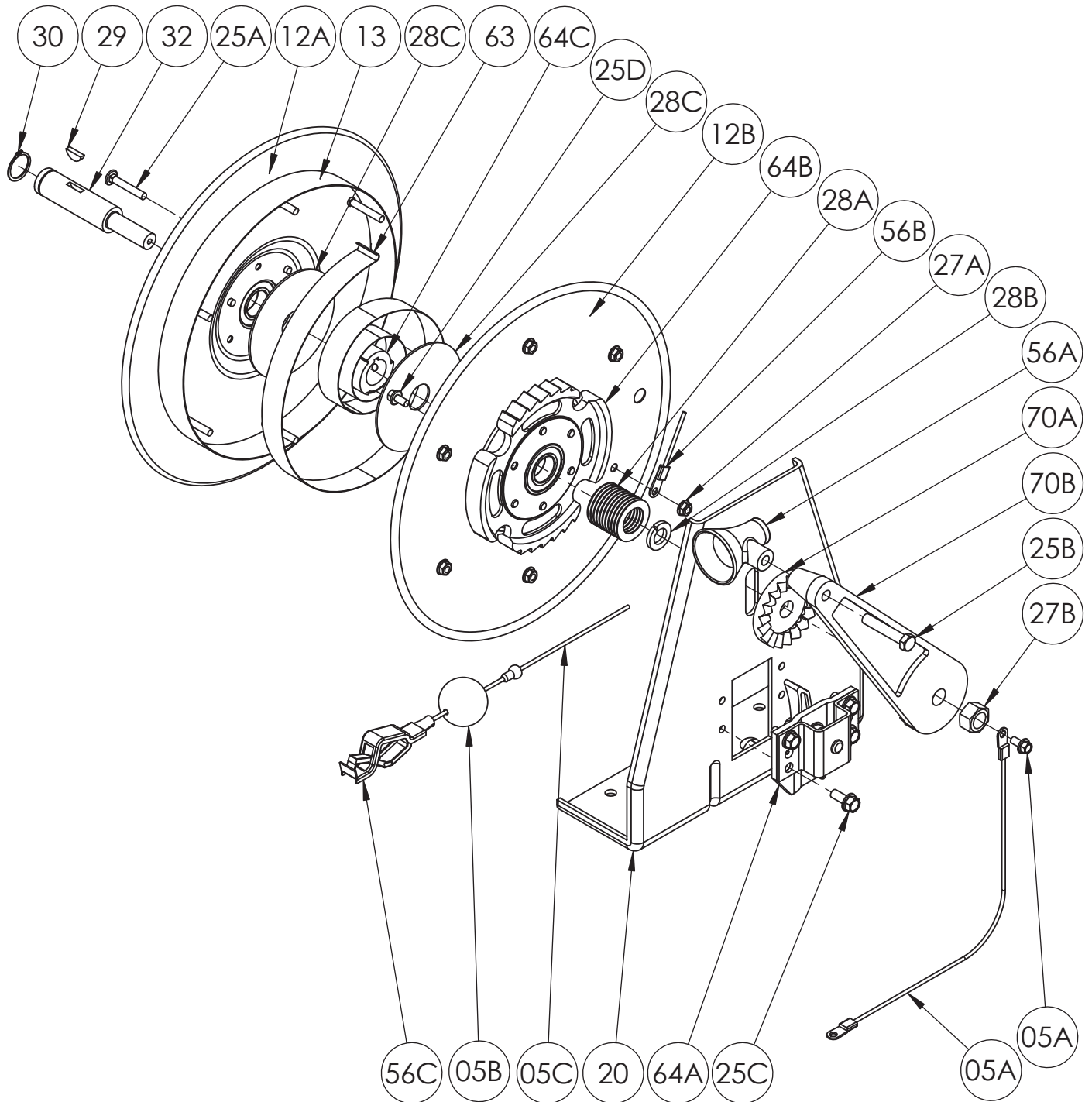


Model HGR50/HGR100/MHGR50 – HGR shown



All Hannay reels are constructed of quality heavy gauge steel (optional aluminum or stainless steel also available on most models).





When Ordering Parts
BE SURE TO SPECIFY COMPLETE MODEL NUMBER and SERIAL NUMBER OF REEL
USE PART NUMBER!

<u>Item No.</u>	<u>Description</u>	<u>Part No.</u>	<u>Quantity</u>
05A	18" Long HGR Grounding Strap w/ Eyelets and 1/4"-20 x 1/2" Hex Head Bolt.....	9951.0090	1
05B	HGR Cable Stop (1-3/4" O.D. x 0.22" I.D.).....	9951.0300	1
05C	1/8" 7 x 19 Galvanized Cable, Specify Length (per ft).....	9951.0025	1
05C	3/32" 7 x 7 Galvanized Cable coated to 3/16" with clear vinyl, Specify Length (per ft)	9951.0026	1
05C	3/32" 7 x 7 Galvanized Cable coated to 3/16" with orange vinyl, Specify Length (per ft).....	9951.0035	1
05C	1/8" 7 x 19 Stainless Steel Cable, Specify Length (per ft).....	9951.0036	1
05C	1/8" 7 x 19 Stainless Steel Cable coated to 3/16" with clear vinyl, Specify Length (per ft)	9951.0037	1
05C	1/8" 7 x 19 Stainless Steel Cable coated to 3/16" with orange vinyl, Specify Length (per ft).....	9951.0038	1
12A	HGR-50 Disc(14-1/4" Dia.) inc. Disc Washers and Bearing.....	9951.0003	1
12A	HGR-100 Disc (16-5/8" Dia.) inc. Disc Washers and Bearing (Not Shown).....	9951.0004	1
12B	HGR-50 Disc (14-1/4" Dia.) inc. EH-660 Ratchet Wheel and Bearing (Item 64B)	9951.0040	1
12B	HGR-100 Disc (16-5/8" Dia.) inc. EH-660 Ratchet Wheel and Bearing (Item 64B) (Not Shown) ..	9951.0041	1
13	HGR-50 Drum (10-3/4" Dia.) 304 SST w/ Mounting Hardware (Items 25A & 27A)	9905.8142	1
13	HGR-100 Drum (10-3/4" Dia.) 304 SST w/ Mounting Hardware (Items 25A & 27A) (Not Shown)..	9905.8162	1
20	HGR Frame, per P20A-00290, E-Coated.....	9906.0741	1
25A	HGR-50 1/4"-20 x 1-5/8" Carriage Bolt.....	9904.0010	6
25A	HGR-100 1/4"-20 x 1-3/4" Carriage Bolt (Not Shown).....	9904.0011	6
25B	3/8" -16 x 2" Hex Head Cap Screw	9904.1206	1
25C	5/16"-18 x 3/4" Thread Cutting Hex Head Bolt (For Ratchet Locking Ass'y)	9958.0055	4
25D	1/4"-20 x 1/2" Hex Head Spinlock Bolt (For Ratchet Wheel).....	9904.1058	6
27A	1/4"-20 Large Flange Spinlock Nut.....	9904.6002	6
27B	5/8"-18 Hex Head Nut	9958.0018	1
28A	Stainless Steel Hub Spacers (1-5/8" O.D. x 1" I.D. x 20 GA. Thick)	9954.0037	As Req'd
28B	5/8" Lock Washer	9954.0031	1
28C	HGR Spring Spacer, 4" O.D. x 1.01" I.D. x 0.074" Thick.....	9951.0008	2
29	3/16" x 3/4" #9 Woodruff Key for HGR Hub.....	9951.0007	1
30	1" External Retaining Ring for HGR Hub.....	9951.0021	1
32	HGR Hub w/ Spring Arbor (Item 64C)	9951.0027	1
56A	HGR Scoop, per P56A-00340	9951.0012	1
56B	#8 1/4" Ring Terminal	9951.0015	1
56C	100 Amp Cable Clamp.....	9951.0014	1
63	HGR-50 Spring (HSR-B6) w/ Spring Arbor (Item 64C).....	9921.0023	1
63	HGR-100 Spring (HSR-B5) w/ Spring Arbor (Item 64C) (Not Shown).....	9921.0024	1
64A	LH Ratchet Locking Assembly for HGR Reels	9922.0311	1
64B	EH-660 Ratchet Wheel w/ Bearing, includes (6) Item 25D.....	9951.0039	1
64C	HGR Spring Arbor (Specify 1-3/4" or 2-1/4" Dia.).....	9951.0029	1
70A	Guide Arm Positioner, per P70A-00670.....	9951.0009	1
70B	Guide Arm, per P70A-00660	9951.0010	1