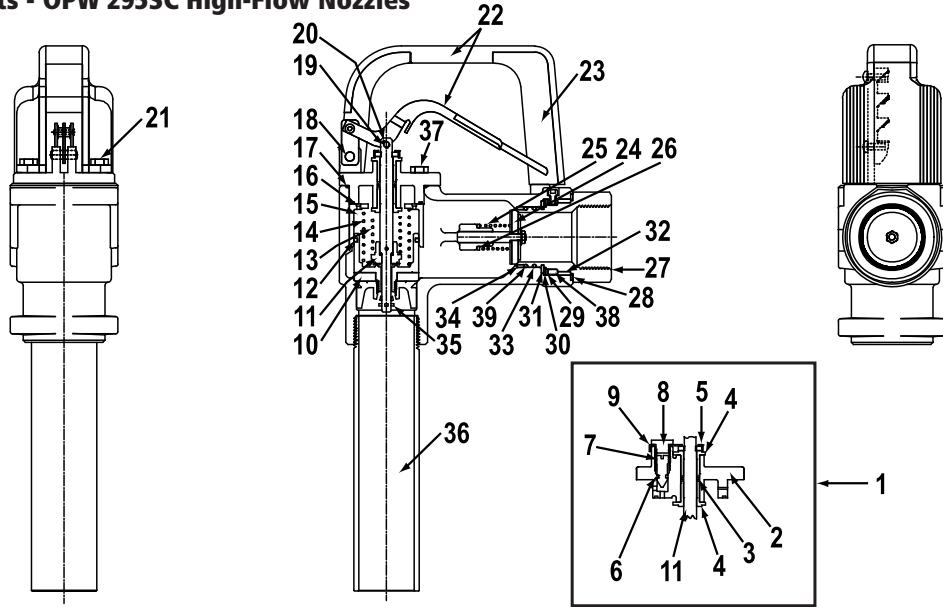


Replacement Parts - OPW 295SC High-Flow Nozzles



Key	Part #	Description	1/4" 11/2" NPT	1/2" 11/2" NPT
1	H09212	Cap S/A	•	
1	H09213	Cap S/A		•
2	C02115A	Cap	•	
2	C02117A	Cap		•
3	H12707M	O-Ring	•	•
4	H05063M	Bushing (2 req'd)	•	•
5	H05087M	Felt Wiper	•	•
6	H12705M	O-Ring	•	•
7	H04825M	Adjusting Screw	•	•
8	H08441RS	Screw	•	•
9	H05135M	Retainer	•	•
10	H07719	Main Poppet S/A	•	•
11	H09417	Stem & Sec. Poppet	•	
11	H09420	Stem & Sec. Poppet		•
12	H12706M	O-Ring	•	•
13	H09367M	Spring	•	•
14	H05064M	Spring	•	•
15	H05088M	Skirt	•	•
16	H05198M	Seal	•	•
17	H04828M	Seal	•	•
18	H03981RE	Pin	•	•
19	H05000M	Cotter Pin	•	•
20	H07580M	Rivet	•	•
21	H06045M	Screw (2 req'd)	•	•
22	295KLG-0200	Guard Kit	•	
22	295KLG-0250	Guard Kit		•
23	C04698M	Hold-Open Rack	•	•
23	H14105M	Screw	•	•
24	H09214	Poppet S/A	•	

Key	Part #	Description	1/4" 11/2" NPT	1/2" 11/2" NPT
24	H09215	Poppet S/A		•
25	H07593M	Spring		•
25	H07595M	Spring	•	
26	H07613M	Washer	•	•
27	295SWK-0009	Swivel Repair Kit**	•	
27	295SWK-0014	Swivel Repair Kit**		•
28	H08886M	Dust Seal		•
28	H01227M	Dust Seal	•	
29	H08881M	Thrust Bearing	•	
29	H08889M	Thrust Bearing		•
30	H08882M	Lock Ring	•	
30	H08890M	Lock Ring		•
31	H09365M	Retaining Ring	•	
31	H09366M	Retaining Ring		•
32	H08879M	Bearing	•	
32	H08887M	Bearing		•
33	H12319M	O-Ring	•	
33	H12320M	O-Ring		•
34	H08884M	Bearing	•	
34	H08892M	Bearing		•
35	H02477M	Cotter Pin	•	•
36	297-9020	Spout	•	
36	297-9030	Spout		•
37	H07062M	Screw (4 req'd)	•	•
38	H09712RS	Retainer	•	
38	H09713RS	Retainer		•
39	H13776M	O-Ring, Viton®		•
39	H13775M	O-Ring, Viton®	•	

* Replacement part for nozzles built after 08/1998. Parts are unavailable for nozzles built prior to this date.

** Includes 295SRK-0001 or 295SRK-0002 and contact ring.

Important

FlexWorks by OPW, Inc., VAPORSAVER™ and all other OPW products must be used in compliance with all applicable federal, state, provincial and local laws, rules and regulations. Product selection must be based on physical specifications and limitations, compatibility with the environment and material to be handled. All illustrations and specifications in this literature are based on the latest production information available at the time of publication. Prices, materials and specifications are subject to change at any time, and models may be discontinued at any time, in either case, without notice or obligation. OPW warrants solely to its customer that the following products sold by OPW will be free from defects in materials and workmanship under normal use and conditions for the periods indicated.