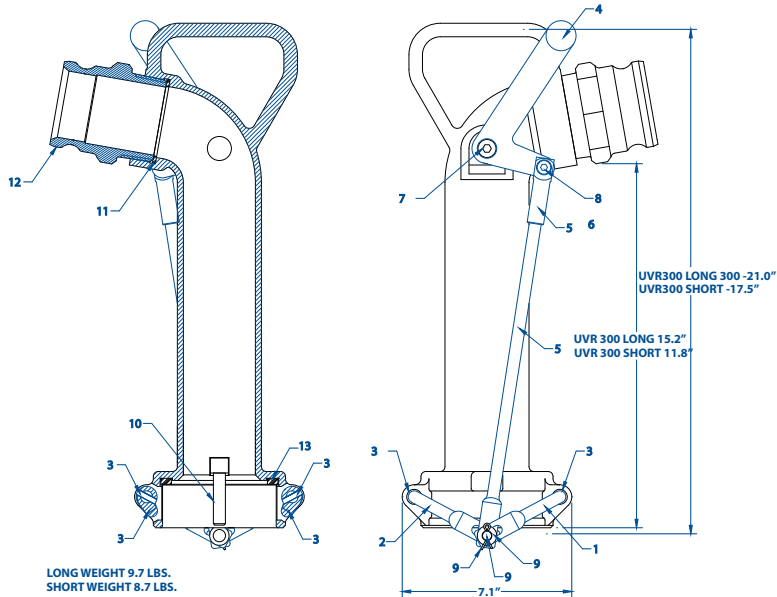


UVR300
REPAIR PARTS LIST
Made in the U.S.A.

**PT Vapor Recovery Elbow
Dual Point**



Ref #	Item #	Description
1	86004101	Cam Arm - Right
2	86004102	Cam Arm - Left
3	86004120	Cam Assembly Kit
4	86004104	Actuation Lever
5	86004124	Connecting Link Kit
	86004125	Short Connecting Link
6	86004106	Rod End
7	86004108	Lever Bolt
8	86004109	Rod End Bolt
9	86004121	Connecting Link Pin Kit
10	87224030-2	CSP-2 Push Rod
11	5504230	B30ASY Buna Fuel Gasket
12	30FAL	30F Aluminum
13	5500240F	BO8F Buna Fuel Gasket
14	86004105	Connecting Link
	86004114	Short Connecting Link

Dimensions				
Item #	A	B	C	Weight
UVR300	21.5	15.1	7.0	11.47 lbs
UVR300S	17.5	11.6	7.0	11.0 lbs

Tank Truck Service & Sales
800-482-2678 www.tanktruckservice.com

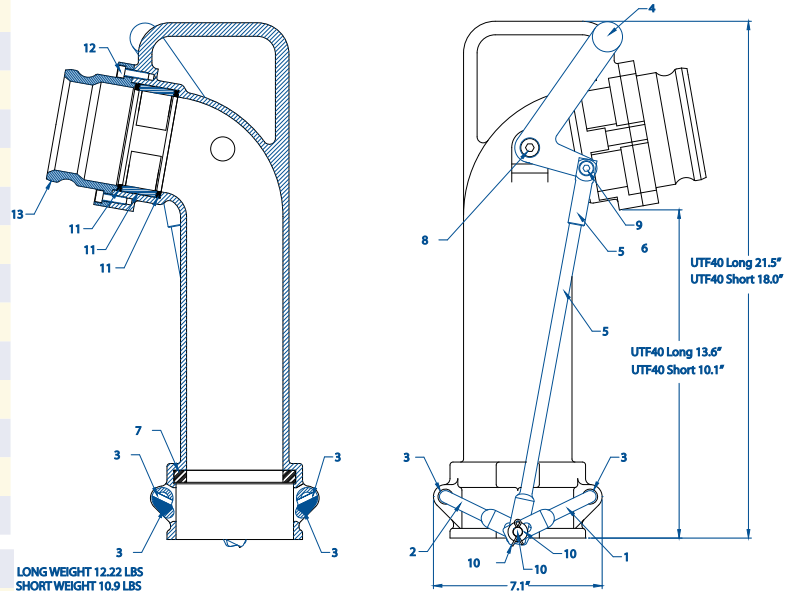
Ref #	Item #	Description
1	86004101	Cam Arm - Right
2	86004102	Cam Arm - Left
3	86004120	Cam Assembly Kit
4	86004104	Actuation Lever
5	86004124	Connecting Link Kit
	86004125	Short Connecting Link Kit
6	86004106	Rod End
7	86004002	1/2" Thick Fuel Gasket
8	86004108	Lever Bolt
9	86004109	Rod End Bolt
10	86004121	Connecting Link Pin Kit
11	86004123	Sight Glass Kit
12	86004122	Capscrew Kit
13	TF40AF	TF40AF Adapter
14	86004105	Connecting Link
	86004114	Short Connecting Link

Dimensions

Item #	A	B	C	Weight
UTF40	21.5	13.6	7.0	13.45 lbs
UTF40 Short	18.0	10.1	7.0	11.5 lbs

PT Product Drop Elbow Dual Point (no vapor recovery)

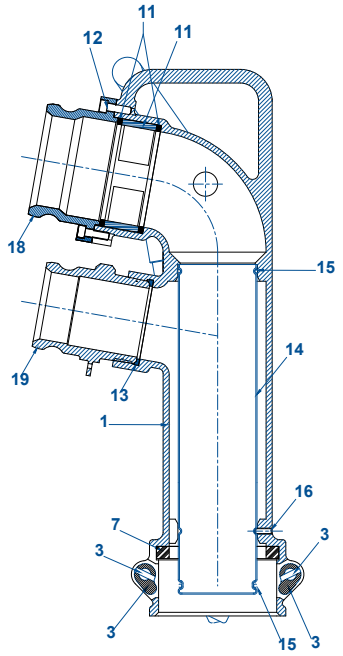
UTF40
REPAIR PARTS LIST
Made in the U.S.A.



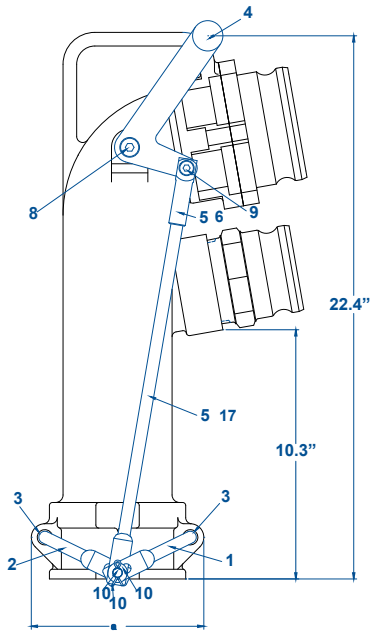
Tank Truck Service & Sales
800-482-2678 www.tanktruckservice.com

UVR 400
REPAIR PARTS LIST
 Made in the U.S.A.

PT Coaxial Delivery Elbow
Vapor on Bottom



WEIGHT = 16.84 LBS.

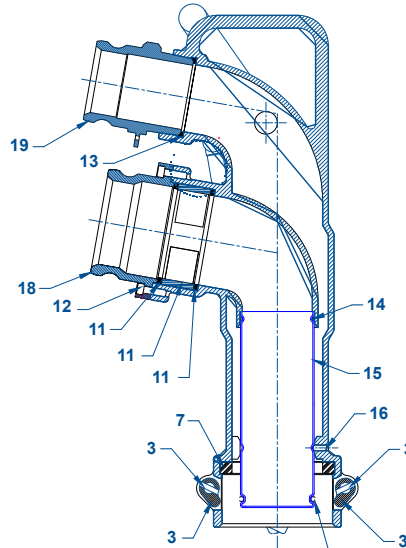


Ref #	Item #	Description
1	86004101	Cam Arm - Right
2	86004102	Cam Arm - Left
3	86004120	Cam Assembly Kit
4	86004104	Actuation Lever
5	88004004	Connecting Link Kit
6	86004106	Rod End
7	86004002	1/2" Thick Fuel Gasket
8	86004108	Lever Bolt
9	86004109	Rod End Bolt
10	86004121	Connecting Link Pin Kit
11	86004123	Sight Glass
12	86004122	Capscrew Kit
13	5504230	B30ASY Buna Fuel Gasket
14	88004002	UVR400 Tube
15	88000420	UVR400 Tube Seal Kit
16	88000424	VR 424 Set Screw
17	88004003	USE 86004004
18	TF40AF	TF40AF Alum Adapter
19	30FAL	30F Alum Adapter

Tank Truck Service & Sales
 800-482-2678 www.tanktruckservice.com

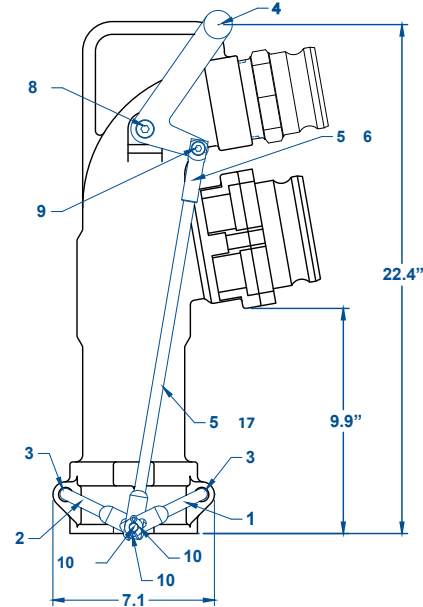
Ref #	Item #	Description
1	86004101	Cam Arm - Right
2	86004102	Cam Arm - Left
3	86004120	Cam Assembly Kit
4	86004104	Actuation Lever
5	88004004	Connecting Link Kit
6	86004106	Rod End
7	86004002	1/2" Thick Fuel Gasket
8	86004108	Lever Bolt
9	86004109	Rod End Bolt
10	86004121	Connecting Link Pin Kit
11	86004123	Sight Glass Kit
12	86004122	Capscrew Kit
13	5504230	B30ASY Gasket
14	88000420	VR400A Tube Seal Kit
15	88000406	VR400A A Tube
16	88000424	VR 424 Set Screw
17	88004003	USE 86004004
18	TF40AF	TF40AF Alum Adapter
19	30FAL	30F Alum Adapter

PT Coaxial Delivery Elbow Vapor on Top



WEIGHT = 17.75 LBS.

VR400A REPAIR PARTS LIST Made in the U.S.A.



Tank Truck Service & Sales

800-482-2678 www.tanktruckservice.com